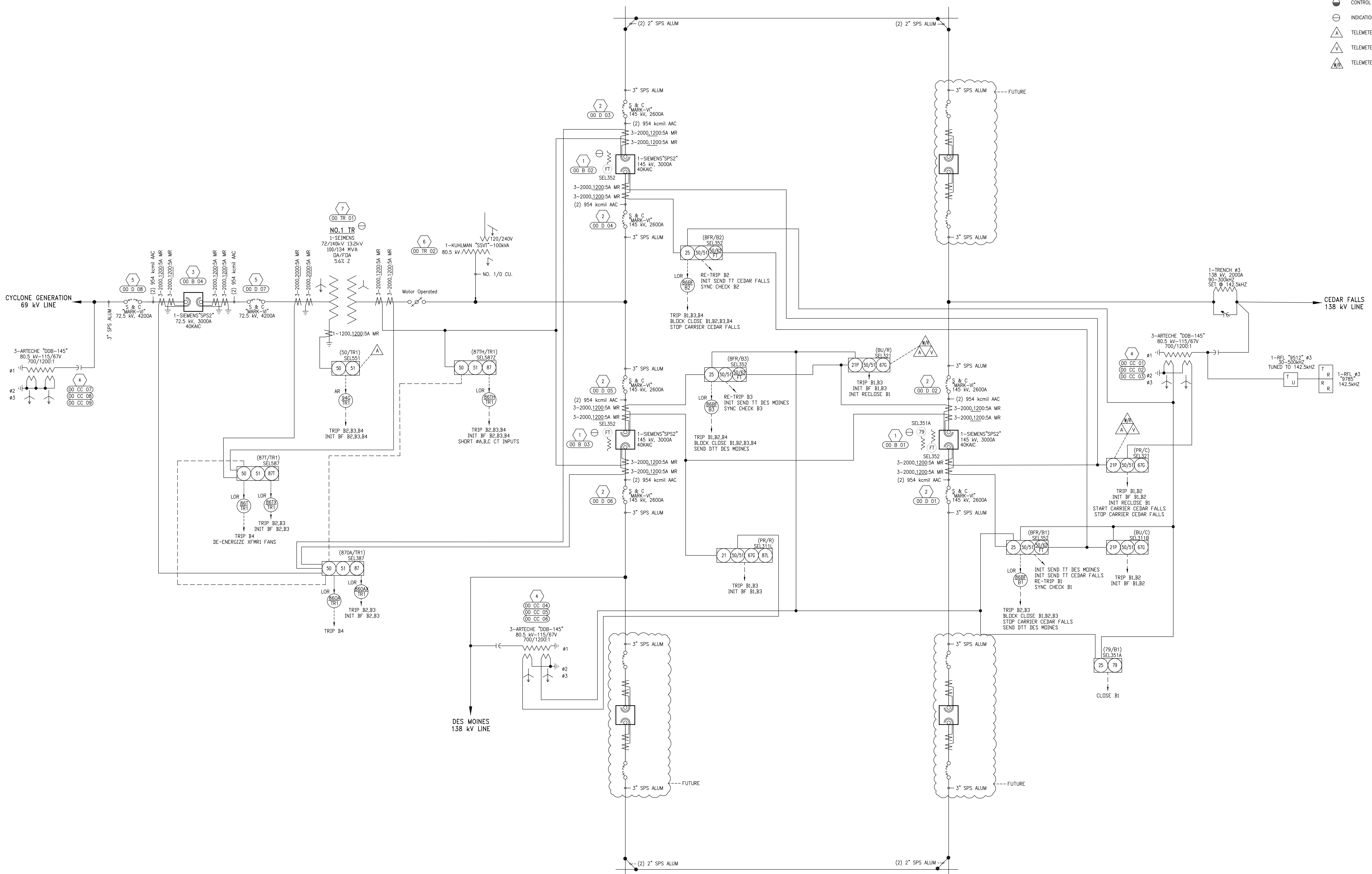


SCADA LEGEND

- CONTROL & INDICATION
- INDICATION ONLY
- △ TELEMETERING OF AMPS
- ▽ TELEMETERING OF VOLTS
- ⊠ TELEMETERING OF WATTS/WARS



FOR REVIEW

NOT FOR CONSTRUCTION

| ENG: AA/GS/JM APP: JRM DATE: 11/16/20 ISSUE: For Review DRAWING CREATED BY IOWA STATE SENIOR DESIGN 2020. | <table border="1"> <tr> <th colspan="3">CYCLONE</th> </tr> <tr> <td>CITY: AMES</td> <td>STATE: IOWA</td> <td>ZIP: 50014</td> </tr> <tr> <td colspan="3">ONE-LINE DIAGRAM</td> </tr> <tr> <td>ISU-SD-04</td> <td>IA-000-02-01</td> <td>-</td> </tr> </table> | CYCLONE | | | CITY: AMES | STATE: IOWA | ZIP: 50014 | ONE-LINE DIAGRAM | | | ISU-SD-04 | IA-000-02-01 | - |
|---|---|------------|--|--|------------|-------------|------------|------------------|--|--|-----------|--------------|---|
| CYCLONE | | | | | | | | | | | | | |
| CITY: AMES | STATE: IOWA | ZIP: 50014 | | | | | | | | | | | |
| ONE-LINE DIAGRAM | | | | | | | | | | | | | |
| ISU-SD-04 | IA-000-02-01 | - | | | | | | | | | | | |